

# PAVISE D217

ZF – 9 Speed Manual  
ZF – 12 Speed AMT



\*Image may contain items not standard to the model

**4 x 2 Cab Chassis**

## KEY FEATURES

Vehicle Dynamic Control (VDC)  
Lane Departure Warning System (LDWS)  
Forward Collision Avoidance Assist (FCA)  
Autonomous Emergency Braking System (AEBS)  
Emergency Stop System (ESS)  
Electronic Braking System (EBS)  
SRS Airbags Driver & Passenger  
Cruise Control

## KEY SPECIFICATIONS

<b>GVM</b>	17,600Kg
<b>GCM</b>	27,000Kg
<b>Engine</b>	5.9L (EURO 5) 6 Cylinder Turbo
<b>Power</b>	276hp/205kw
<b>Torque</b>	932Nm
<b>Transmission</b>	ZF 9 Speed MT / ZF 12 Speed AMT
<b>Wheelbase</b>	LWB 4.3m, ELWB 4.9m, ULWB 5.7m
<b>Max. Body Length</b>	LWB 5.8m, ELWB 6.8m, ULWB 8.1m

## ENGINE

Engine Model	Hyundai D6GA253
Engine Type	Diesel, 5.9L (Euro 5) 6 in-line Cylinder Turbo
Max. Output	276hp/205KW @ 2,500 RPM
Max. Torque	932Nm. @ 1,400 RPM
Max. Engine R.P.M	2,500 RPM
Fuel Injection	Electrical Type by ECU
Cooling System	Auto Clutched Type
Compression Ratio	17.0: 1
Piston Displacement	5,899 cc
Bore and Stroke	103 x 118 (mm)
Valve System	SOHC, 4 Valves per Cylinder
Exhaust	EGR + DOC + PMC
Alternator	24V-70A
Engine Immobilizer	Equipped

## TRANSMISSION & GEAR RATIOS

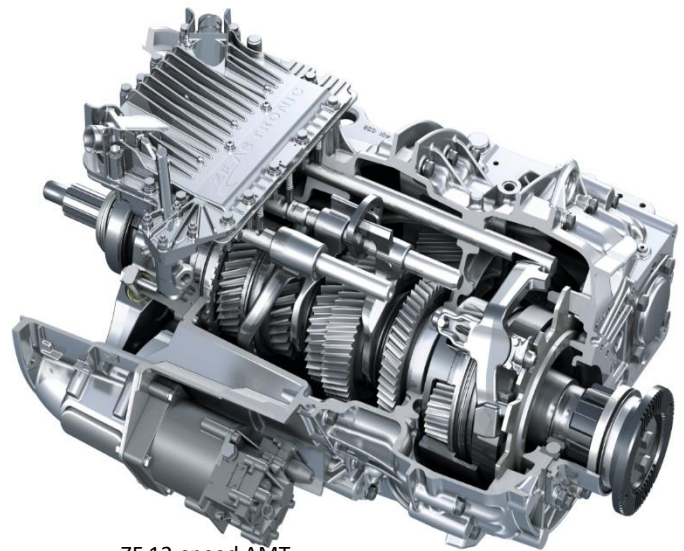
Make & description	Manual Transmission (ZF9S1310T0)		AMT Transmission (ZF12AS1210T0)	
	ZF 9 Speed Manual		ZF 12 Speed AMT	
Gear Ratios	Crawler	9.48	1 / 2	10.37/8.43
	1 / 2	6.58 / 4.68	3 / 4	6.49 / 5.27
	3 / 4	3.48 / 2.62	5 / 6	4.18 / 3.40
	5 / 6	1.89 / 1.35	7 / 8	2.48 / 2.02
	7	1.00	9 / 10	1.55 / 1.26
	8	0.75	11 / 12	1.00 / 0.81
	REVERSE	8.97	REVERSE	10.56 / 8.58
	Gear Shaft	Floor Shift	Mechanical Remote Control	
Rear axle ratio	3.909 / 4.111			

## BRAKES

Type	Drum Brakes Front & Rear Disc Brakes (Optional)
Actuation	Drum: Full Air S-CAM Brake with Diaphragm Chamber Disc: Full Air Disc Brake with Diaphragm
Front Drum Diameter X Lining Width	410 x 156 x 16 / Disc: 375 x 45
Rear Drum Diameter X Lining Width	360 x 160 x 16 / Disc: 375 x 45
Adjusted	Auto Adjuster
Vehicle Stability Control (VSC)	Equipped
Auxiliary Brake	Air Operated, butterfly valve
Anti-lock Brake System (ABS)	Equipped
Electronic Braking System (EBS)	Equipped
Traction Control (TC)	Equipped

## SAFETY FEATURES

Active Safety Features	
Vehicle Stability Control	VSC (Equipped)
Anti-lock Brake System	ABS (Equipped)
Forward Collision Avoidance Assist	FCA (Equipped)
Emergency Stop System	ESS (Equipped)
SRS Airbag	Driver & Passenger
Electronic Braking System	EBS
Lane Departure Warning System	LDWS
Traction Control	TC
Adaptive Cruise Control	ACC
Easy Start Hill Assist	ES



ZF 12-speed AMT

## SUSPENSION & LOAD LIMITS

FRONT	Front Axle Type	Reverse Eliot Type "I" Beam	
	Front Axle Capacity	7,500 kg	
	Suspension	Multi Spring Suspension	
	Spring Dimensions	1500 x 80 x 8 Leaves (14t-2, 15t-6)	
REAR	Rear Axle Type	Full Floating Type (R150HS)	
	Rear Axle Capacity	9,500 kg	
	Rear Suspension Types	Leaf	
	Suspension Description	Multi Spring	
	Spring Dimensions	Main	Helper
	Length & Width (mm)	1300 x 70 x 12 Leaves (14t-4, 13t-2, 12t-5, 11t-1)	900 x 70 x 5 Leaves (13t-3, 12t-2)

## CLUTCH (MANUAL MODELS)

<b>Type</b>	Hydraulic Control (air assisted), Diaphragm Spring. Single Dry plate, Pre- Damper
<b>Facing Size</b>	395 mm (outside diameter) x 240 mm (inside diameter)
<b>Facing Material</b>	Non-Asbestos

## WHEELS & TYRES

<b>Wheel Type</b>	Single Front, Double Rear
<b>Wheel</b>	Front, Rear 22.5x8.25
<b>Material</b>	Steel / (Optional) Aluminum
<b>Tyre Size</b>	Front: 295/80R22.5 Rear: 295/80R22.5
<b>Number of Tires</b>	6
<b>Spare Tyre Carrier</b>	Equipped

## ELECTRICAL

<b>Type</b>	24V Negative Earth
<b>Battery</b>	24V-70A
<b>Alternator</b>	24V-70A
<b>Starter Type</b>	24V-5.0KW
<b>Interior &amp; Reading Lamps</b>	LED

## CHASSIS FRAME

Wheelbase Variants	LWB	ELWB	ULWB
<b>Wheelbase (mm)</b>	4,300	4,900	5,700
<b>Overall Width (mm)</b>	2,400	2,400	2,400
<b>Cab to Rear Axle</b>	3,410	4,010	4,810
<b>Cab to End of Frame</b>	5,320	6,270	7,420
<b>Min. Ground Clearance</b>	305	305	305

## PERFORMANCE

Wheelbase	Long	Extra Long	Ultra-Long
<b>Application Engines</b>	D6GA28A	D6GA28A	D6GA28A
<b>Max. Speed (KM/HR)</b>	127.9	127.9	127.9
<b>Max. Gradeability (tan0)</b>	0.322	0.322	0.322

## FUEL TANK

<b>Material (L) Liter</b>	Standard: 200L (steel) Optional (ELWB & ULWB): 200 L + 200L (Aluminum)
<b>Fuel Capacity (L) Liter</b>	200L (Standard) / 200L + 200L (Optional)
<b>Fuel Cap</b>	Equipped

## STEERING

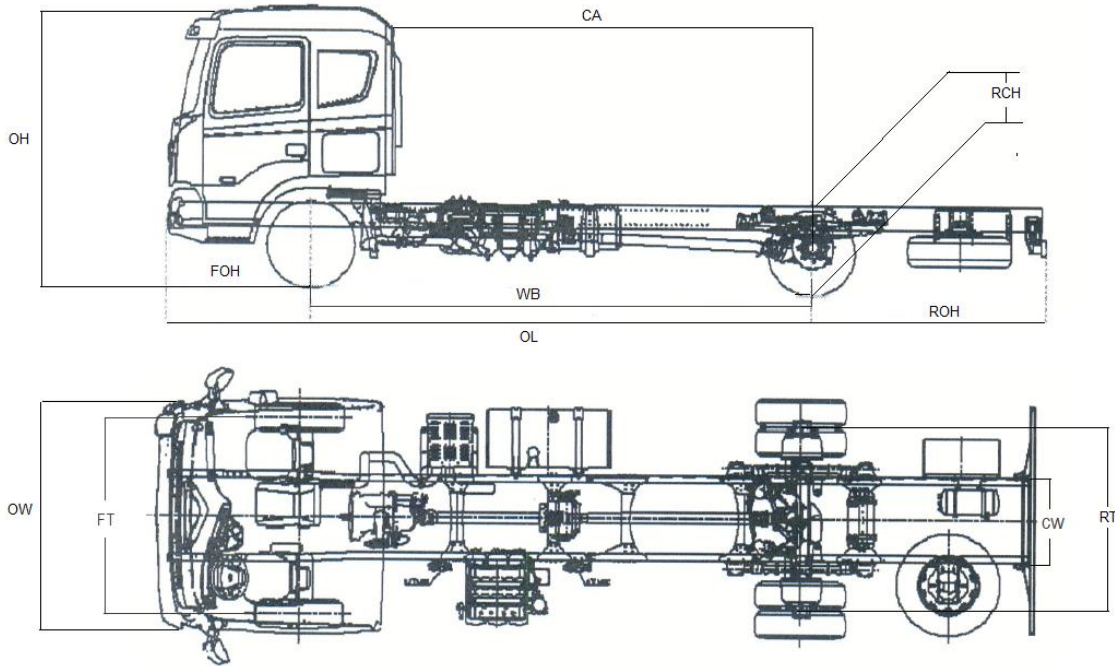
<b>Steering Type</b>	4-Spoke, Ball-nut type, Tilt & Telescopic Steering Column
<b>Steering Gear Ratio</b>	24.9 (Tilting Angle: 18°)
<b>Inside Steering Angle</b>	44°
<b>Outside Steering Angle</b>	34°
<b>Telescopic Stroke (mm)</b>	65 mm

## CAB DETAILS

<b>CAB Type</b>	Sleeper CAB
<b>Seating Capacity</b>	3
<b>Seat Belts</b>	3-point Lap Sash for Driver & Passenger
<b>Sun visor &amp; Overhead</b>	High Roof Only (Optional)
<b>Windscreen Wipers</b>	2-Arm Wiper & Washers
<b>Rear View Mirrors</b>	External; Electric; Remote Heated
<b>Grille Color</b>	Black
<b>Cab heater &amp; Air conditioner</b>	Equipped
<b>Floor Covering</b>	Vinyl Type
<b>Central Locking &amp; Keyless</b>	Equipped with Immobilizer
<b>Cab Storage Pockets</b>	Equipped
<b>Power Windows</b>	Equipped
<b>Cup Holders</b>	Equipped



## DIMENSIONS – (mm) / WEIGHTS – (kg)



Wheelbase	LWB	ELWB	ULWB
WB	4,300	4,900	5,700
OL	7,665	8,615	9,765
OW	2,400	2,400	2,400
OH	2,735 (High Roof: 2,925)	2,735 (High Roof: 2,925)	2,735 (High Roof: 2,925)
CA	3,410	4,010	4,810
FOH	1,415	1,415	1,415
ROH	1,950	2,300	2,650
RCH	997	997	997
CW	840	840	840
FT	1,978 (Steel) / 1,995 (Aluminum)	1,978 (Steel) / 1,945 (Aluminum)	1,978 (Steel) / 1,945 (Aluminum)
RT	1,800 (Steel) / 1,813 (Aluminum)	1,995 (Steel) / 1,813 (Aluminum)	1,995 (Steel) / 1,813 (Aluminum)
<b>Curb Weight</b>	5,340	5,595	5,750
<b>Front Curb Weight</b>	3,620	3,690	3,805
<b>Rear Curb Weight</b>	1,720	1,905	1,925
<b>Gross Vehicle Weight</b>	17,600	17,600	17,600
<b>Front Axle Capacity</b>	7,100	7,100	7,100
<b>Rear Axle Capacity</b>	10,500	10,500	10,500

### HYUNDAI PAVISE WARRANTY

HYUNDAI MEDIUM RANGE	AXLE CONFIGURATION	STANDARD WARRANTY	CAB WARRANTY
PAVISE D217	4 X 2	3 Years or 200,000 KM	3 YEARS

**Disclaimer:** Hyundai Trucks Australia reserves the right to alter vehicle specifications and equipment levels without notice. Some equipment featured on the vehicle in this brochure may not be available in Australia or may be optional to the extent permitted by the law. Hyundai Trucks Australia shall not be liable to any person as a result of reliance on the content of this document.

Please consult your Hyundai Commercial Vehicle Dealer for the latest specifications, equipment levels, options, prices, colours and vehicle availability. Note: Information in this brochure is current as at 25/08/2020

You're never alone on the road in a Hyundai Pavise series truck. When you're covered by Hyundai's 24/7 nationwide truck roadside assist, you'll never find yourself stranded.

